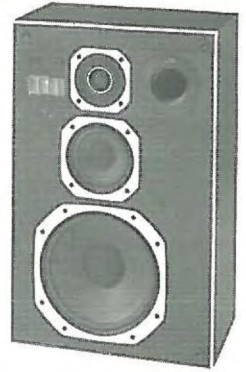
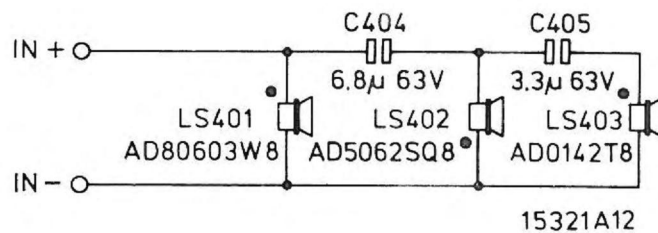


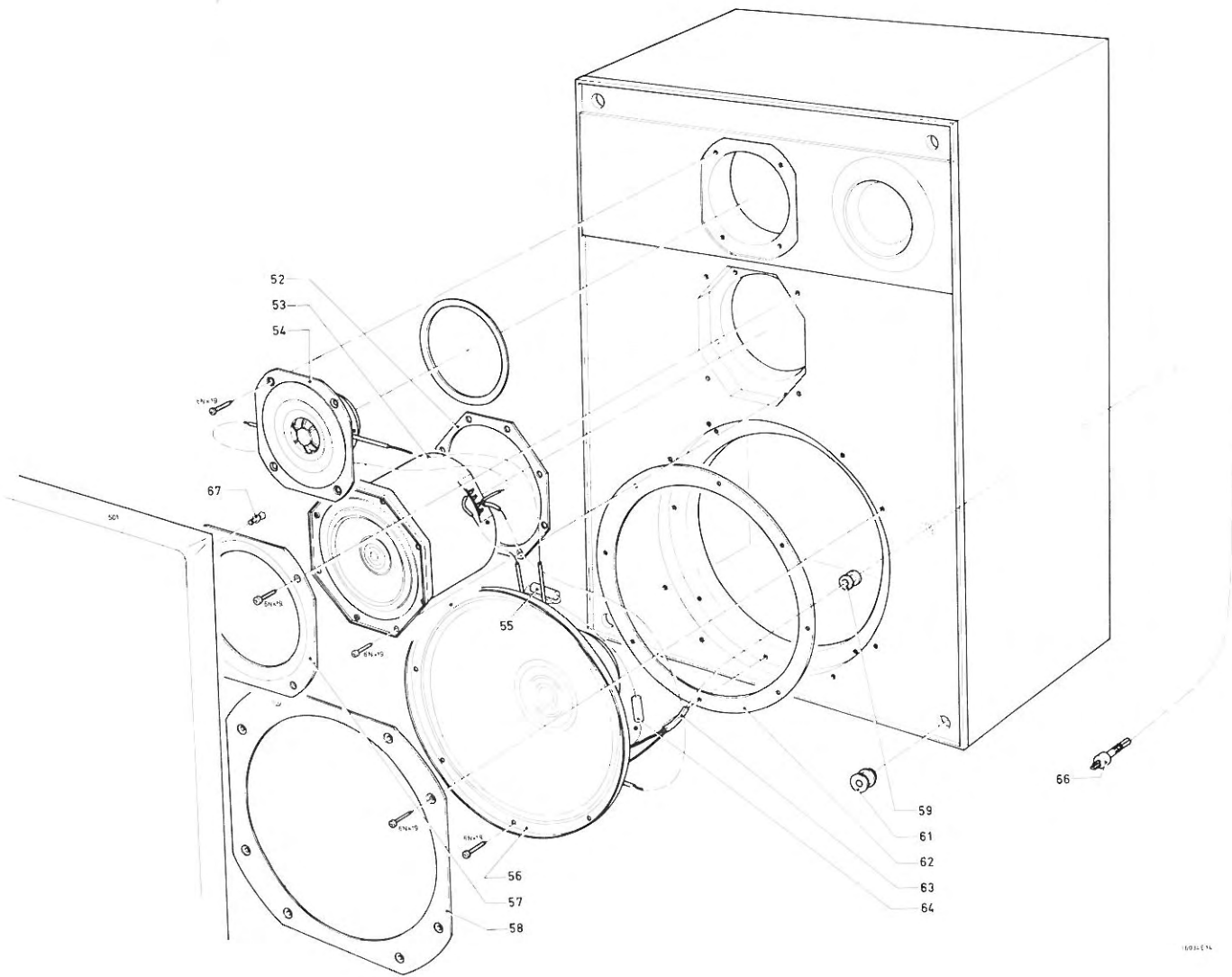
Service
Service
Service



Service Manual

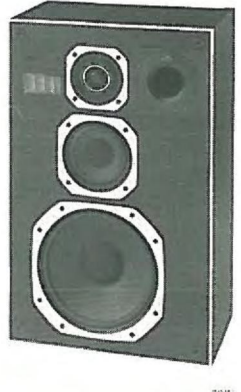
Volume	25 liters	Cross-over frequencies	4000 Hz/9000 Hz
Volume		Frequences de convergence	
Dimensions	515 x 330 x 222 mm	Resonance frequency	19 - 80 Hz
Dimensions		Fréquence de résonance	
Weight	8.5 kg	Frequency range	42 - 20.000 Hz
Poids		Réponse de fréquence	
Rated impedance	8 Ω	Slope: band-pass	6 dB/oct.
Impédance nominale		high-pass	12 dB/oct.
Power handling capacity	50 W	Pente: passe-bande	6 dB/oct.
Capacité de charge		passe-haut	12 dB/oct.





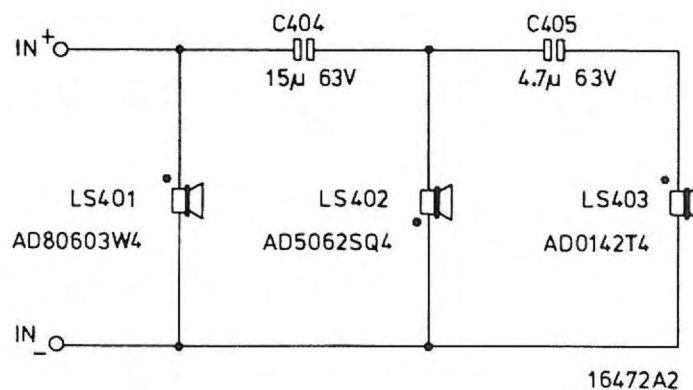
52	4822 532 51075
53	4822 240 50124 – AD5062Sq8
54	4822 240 70028 – AD0142T8
55	4822 124 20747 – 3,3 μ F, 63 V
56	4822 240 60094 – AD80603W8
57	4822 466 90886
58	4822 466 90885
59	4822 325 60204
61	4822 462 40364
62	4822 532 51076
63	4822 322 20014 – 100 m
64	4822 124 20749 – 6,8 μ F, 63 V
66	4822 264 30041
67	4822 535 91104

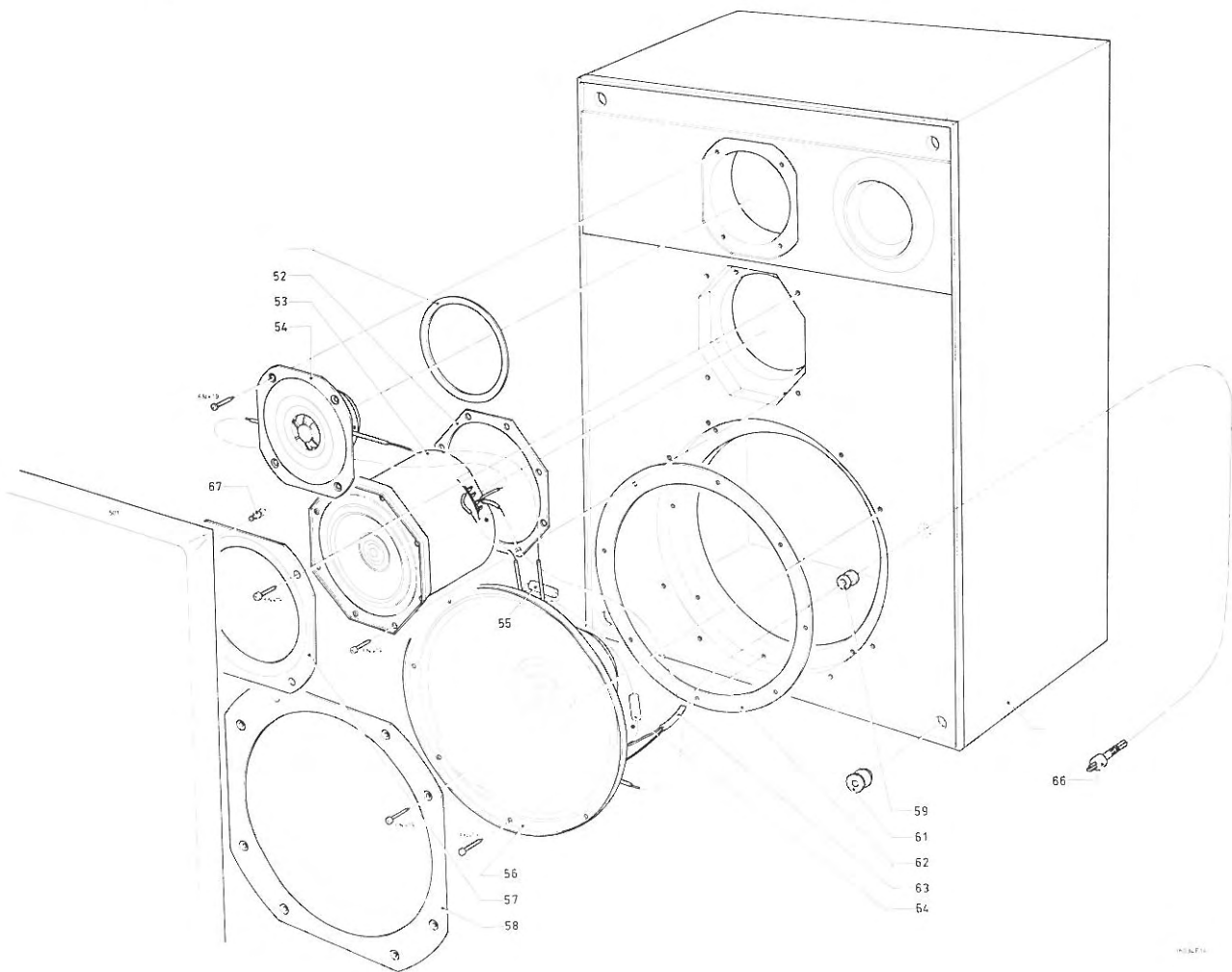
Service
Service
Service



Service Manual

Volume Volume	: 25 Litres	Cross-over frequencies Frecuencs de convergence	: 3000 - 9000 Hz
Dimensions Dimensions	: 515x330x200 mm	Resonance frequency Fréquence de résonance	: 19 - 80 Hz
Weight Poids	: 8.5 Kg.	Frequency range Réponse de fréquence	: 40 - 20.000 Hz
Rated impedance Impédance nominal	: 4 Ω	Slope: High-pass Band-pass	: 12 dB/oct. : 6 dB/oct.
Power handling capacity Capacité de charge	: 50 W	Pente: Passe-haut Passe-bande	: 12 dB/oct. : 6 dB/oct.





- 52 4822 532 51075
- 53 4822 240 50133 - AD5062SQ4
- 54 4822 240 70034 - AD142T4
- 55 4822 124 20748 - 4,7 μ F, 63 V
- 56 4822 240 60102 - AD80603W4
- 57 4822 466 90886
- 58 4822 466 90885
- 59 4822 325 60204
- 61 4822 462 40364
- 62 4822 532 51076
- 63 4822 322 20014 - 100 M
- 64 4822 124 20752 - 15 μ F, 63 V
- 66 4822 264 30041
- 67 4822 535 91104

After PL01 the following changes have been made :

22AH484/00 : Tweeter AD 0142/T8 - codenumber 4822
240 70028 changed into AD 0164/T8 -
codenumber 4822 240 70049.

Bip. elco 6,8 μ F - 63 V - codenumber
4822 124 20749 changed into bip. elco
4,7 μ F - 63 V - codenumber 4822 124
20748.

22AH484/01 : Tweeter AD 0142/T4 - codenumber
4822 240 70034 changed into AD 0164/T4 -
codenumber 4822 240 70047.

Bip. elco 15 μ F - 63 V - codenumber
4822 124 20752 changed into bip. elco
10 μ F - 63 V - codenumber 4822 124 20751.

Reason : improved acoustics.

Added : frontcover - codenumber 4822 464 90078.

